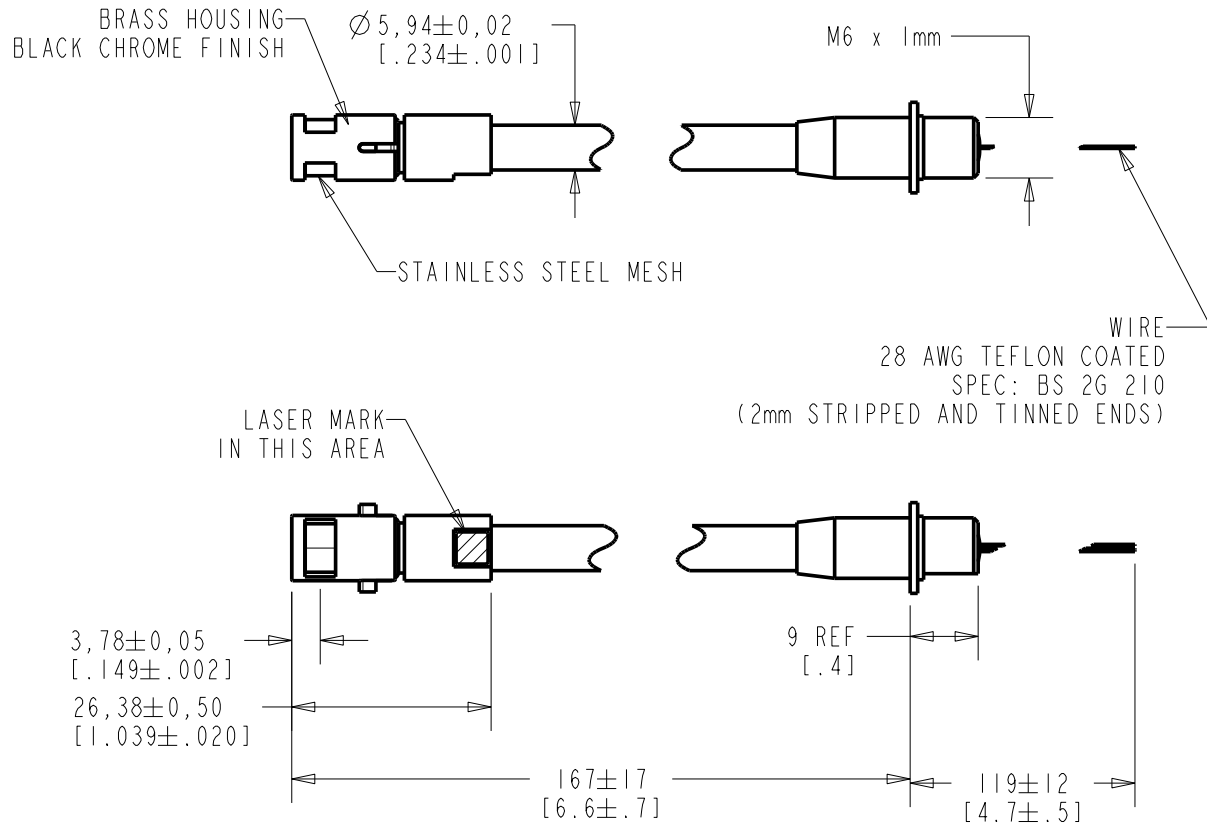


FB-CO-28515-L20
SHT 1.1



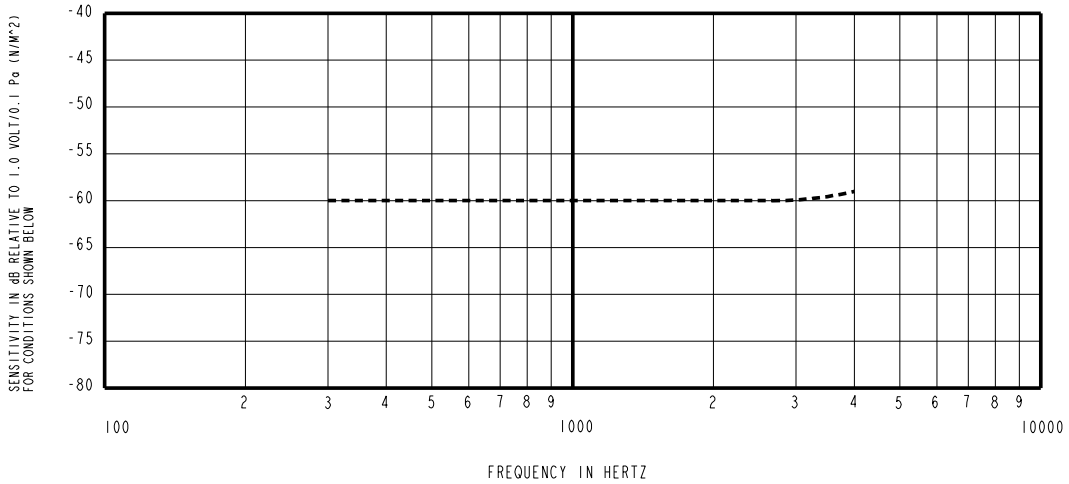
WIRE COLOR			WEIGHT GRAMS
+ve/OUTPUT	-ve	SCREEN	
RED	BLACK	GREEN	30

DIMENSIONS IN MILLIMETERS [INCHES]

Revision	C.O. #	Implementation Date	RELEASE LEVEL	REVISION
E	CI0107750	8-18-08	Active	E
D	CI0106593	10-18-07		

KNOWLES ELECTRONICS
ITASCA, ILLINOIS U.S.A.

SCALE: 1:1	DR. BY DATE
DO NOT SCALE DRAWING	MMM 6-1-06
TITLE: BOOM MICROPHONE FB-CO-28515-L20	CK. BY DATE
OUTLINE DRAWING	GJP 6-6-06
SHT 1.1	APP. BY DATE
	GJP 6-6-06

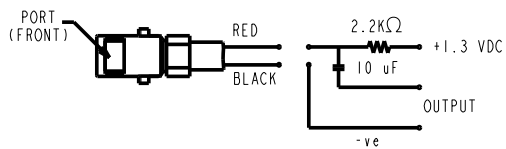
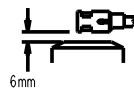


FREQUENCY	SENSITIVITY		
	MIN	NOM	MAX
300	-64.0	-60.0	-56.0
1000	-63.0	-60.0	-57.0
4000	-64.0	-60.0	-56.0

NOTES:

- MICROPHONE TO BE FUNCTIONAL WITH 10 VDC SUPPLY.
- SENSITIVITY VALUES INDICATED ON THIS SPECIFICATION ARE VALID AT 50% HUMIDITY.
- TEST CONDITIONS:
HEAD OF BOOM EXPOSED TO 94 dB SPL SWEPT SOUND FIELD AT 6mm FROM VOICE APERTURE.
ARTIFICIAL VOICE:
B & K 4227 MOUTH SIMULATOR.
- FOR MICROPHONE CAPSULE SPEC. SEE NR-23160-000 SHEET 2.1

CAPACITANCE $\pm 50\%$
POSITIVE TO NEGATIVE
100pF



LEAD IDENTIFICATION & TEST CIRCUIT

Revision	C.O. #	Implementation Date	RELEASE LEVEL	REVISION
E	C10107750	8-18-08	Active	E
D	C10106593	10-18-07		

KNOWLES ELECTRONICS
ITASCA, ILLINOIS U.S.A.

WHEN TEST LIMITS ARE USED TO ESTABLISH INCOMING INSPECTION ACCEPTANCE/REJECTION CRITERIA, CORRELATION OF TEST EQUIPMENT WITH KNOWLES IS ALSO REQUIRED FOR ELIMINATION OF EQUIPMENT AND TEST METHOD VARIATION		DR. BY MMM	DATE 6-1-06
TITLE: BOOM MICROPHONE FB-CO-28515-L20		CK. BY GJP	DATE 6-6-06
PERFORMANCE SPECIFICATION		APP. BY GJP	DATE 6-6-06
		SHT 2.1	